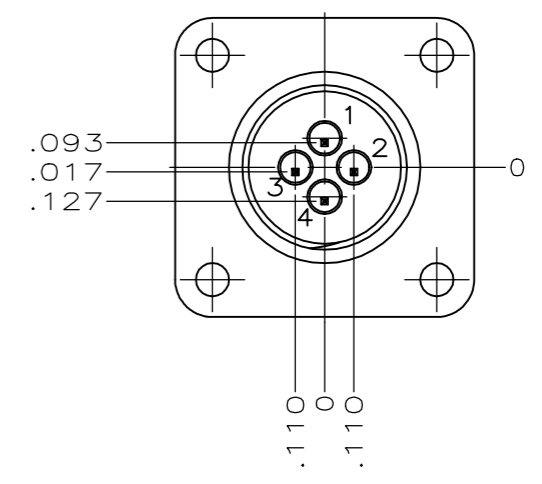
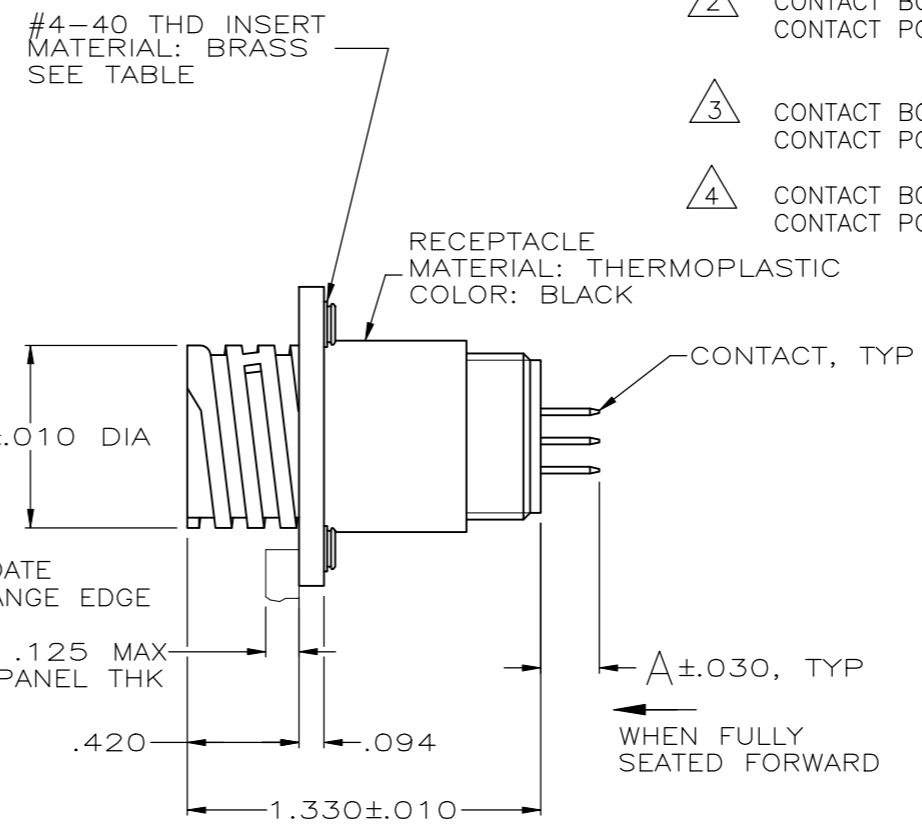
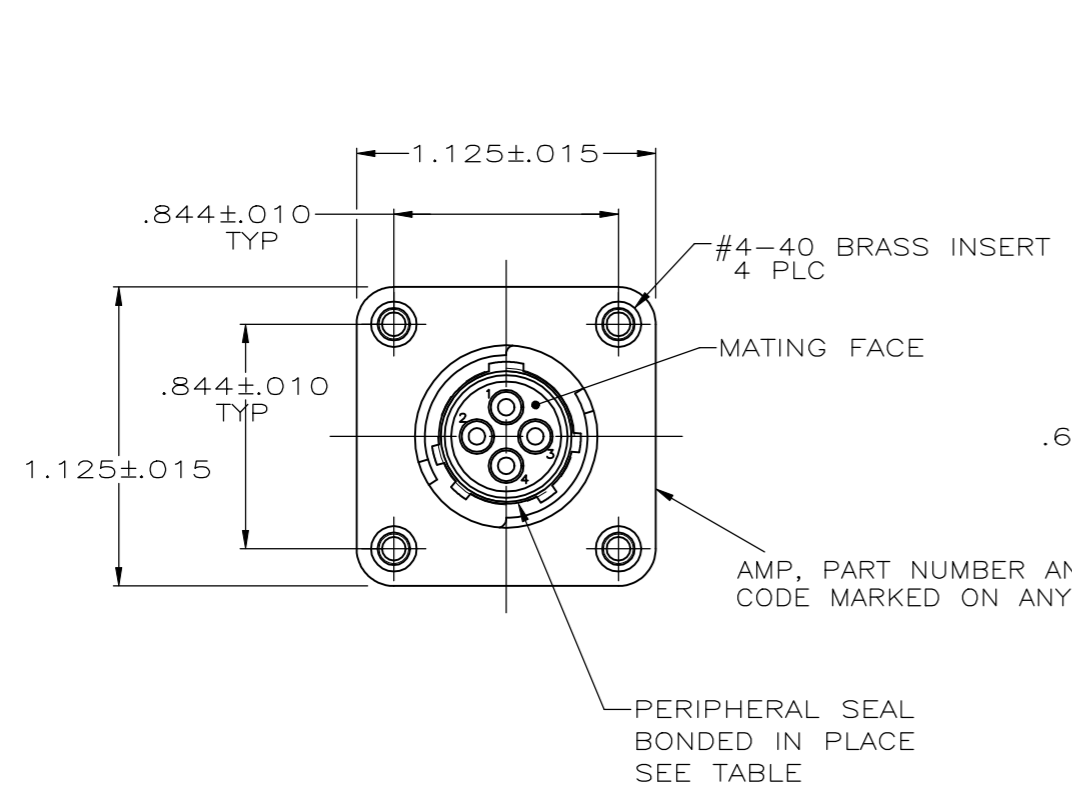
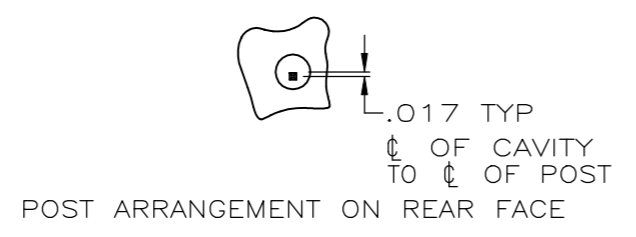
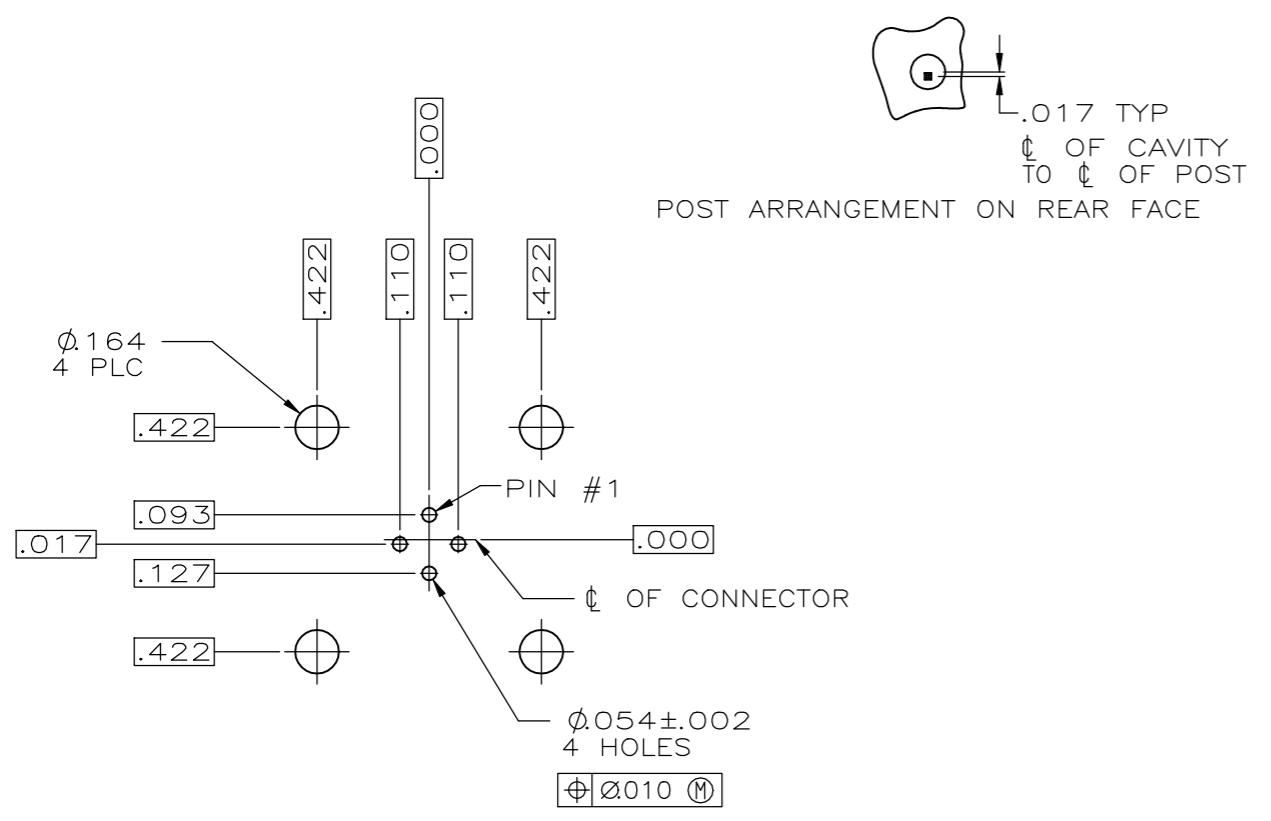


THIS DRAWING IS UNPUBLISHED. RELEASED FOR PUBLICATION. ALL RIGHTS RESERVED.

REVISIONS				
P	LTR	DESCRIPTION	DATE	APVD
T		REVISED PER ECO-18-007248	17MAY2018	KH MZ
T1		REVISED PER ECO-18-016525	22OCT2018	RS MZ



- 1 RECEPTACLE IS LOADED WITH 4 TYPE III+ POSTED PIN CONTACTS.
- 2 CONTACT BODY: GOLD PER MIL-G-45204 OVER NICKEL PER QQ-N-290. CONTACT POST: TIN-LEAD PER MIL-T-10727 OVER COPPER PER MIL-C-14550A.
- 3 CONTACT BODY: GOLD PER MIL-G-45204 OVER NICKEL PER QQ-N-290. CONTACT POST: TIN OVER COPPER PER MIL-C-14550A.
- 4 CONTACT BODY: TIN OVER NICKEL PER MIL-C-14550A. CONTACT POST: TIN OVER NICKEL PER MIL-C-14550A.



	3	4	.220	YES	NO	1-207825-5
OBSOLETE	3	4	.429	YES	YES	1-207825-4
OBSOLETE	3	4	.119	NO	NO	1-207825-2
OBSOLETE	3	4	.618	NO	YES	1-207825-1
OBSOLETE	3	3	.119	YES	YES	1-207825-0
OBSOLETE	2	3	.119	NO	YES	207825-9
OBSOLETE	2	2	.220	YES	NO	207825-8
OBSOLETE	2	2	.429	YES	YES	207825-7
OBSOLETE	2	2	.119	NO	NO	207825-6
OBSOLETE	2	2	.119	NO	NO	207825-5
OBSOLETE	2	2	.618	NO	YES	207825-4
OBSOLETE	2	2	.119	YES	YES	207825-3
OBSOLETE	2	2	.220	NO	YES	207825-2
OBSOLETE	2	2	.119	NO	YES	207825-1
CONTACT FINISH	A		PERIPHERAL SEAL	THREADED INSERTS	PART NUMBER	

THIS DRAWING IS A CONTROLLED DOCUMENT.

DWN R.LEE BG 7-1-91	TE Connectivity
CHK W.G.LENKER 4-14-92	
APVD -	NAME
PRODUCT SPEC 108-10024	RECEPTACLE ASSEMBLY, POSTED, STD SEX, SERIES 1, 11-4, CPC
APPLICATION SPEC	RESTRICTED TO
MATERIAL -	SIZE A2 CAGE CODE 00779 DRAWING NO C=207825
WEIGHT -	SCALE 2:1 SHEET 1 of 1 REV T1
CONTACT: 2	CUSTOMER DRAWING

RECOMMENDED P.C. BOARD LAYOUT

# Mouser Electronics

Authorized Distributor

Click to View Pricing, Inventory, Delivery & Lifecycle Information:

[TE Connectivity:](#)

[1-207825-1](#)