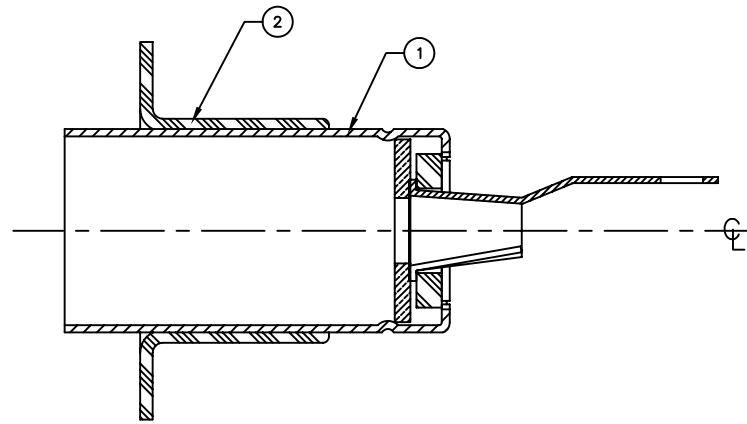
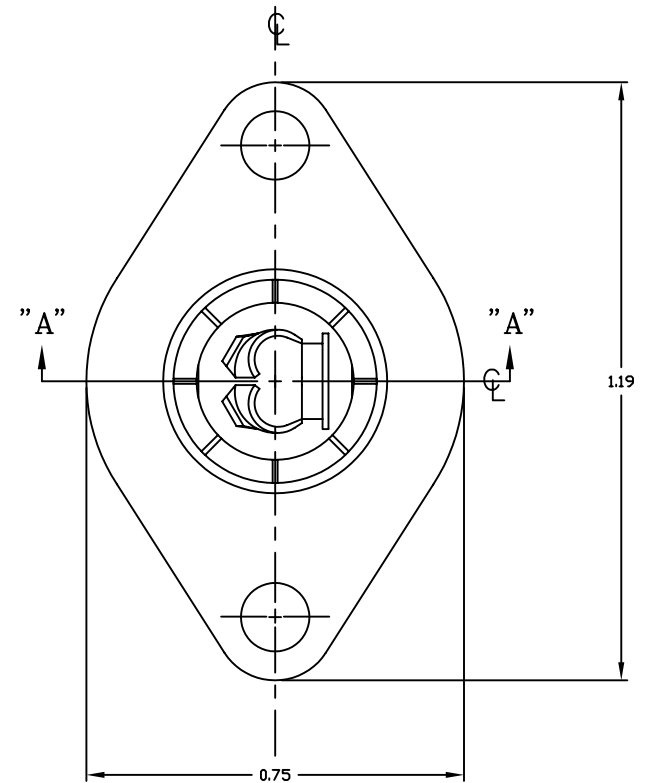
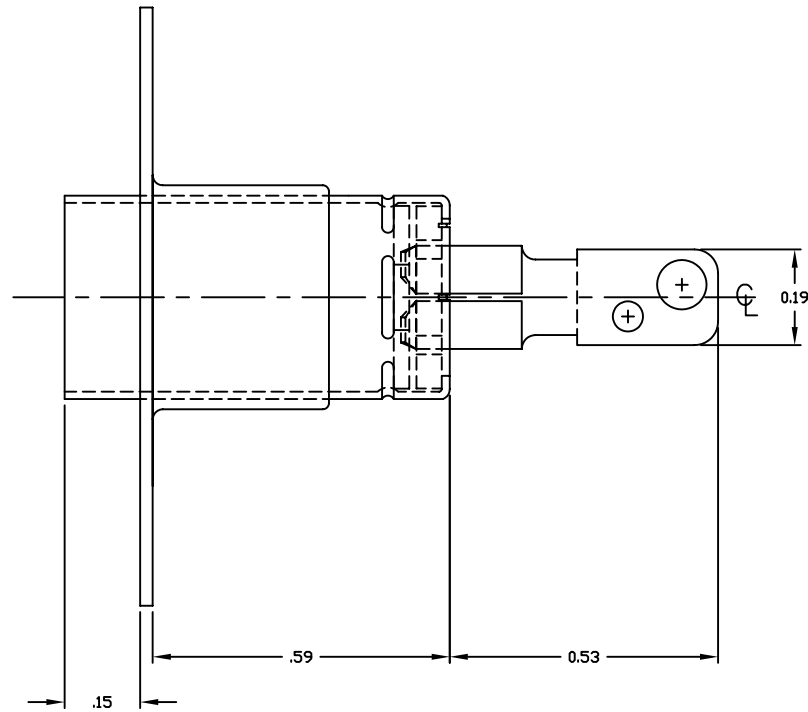


REVISIONS			
SYM	DESCRIPTION	REVISED BY	DATE APPR



SECTION "A-A"



COMPONENT LIST				
DET. QTY.	DESCRIPTION	MATERIAL	PLATING	
1	1	ANTENNA JACK	SEE DWG. NO. 1235	BRIGHT TIN
2	1	FLANGE (LONG)	1008 STEEL	BRIGHT TIN

MATERIAL "SEE TABLE"		FINISH "SEE TABLE"		ABBATRON Electronic Connectors and Hardware 632 Arch Street, Meadville, Pa. 16335	
DIMENSIONAL TOLERANCES UNLESS OTHERWISE SPECIFIED		TITLE 1207 ANTENNA JACK ASSEMBLY			
.XX	.XXX	.XXXX			
---	---	---			
FRACTIONS	ANGLES	SCALE			
		5:1			
HEAT TREAT		DRAWN: B.FRANKLIN		DATE 2-4-92	SIZE
PLDT SCALE: 1=1		CHECKED: E. MCKINNEY		DATE 2-11-92	DRAWING NUMBER
		APPROVED: D. MILLER		DATE 2-11-92	ISSUE
				C	SD-1207 C