

Shenzhen Suqiao Technology Co.,Ltd

Specification 1.0

Part Number	223MPCEUSB01
Product Name	MINI PCIe Card + USB Cable Kit
Version	1.0
Date	SEP. 12th, 2024

LIST OF TWO PARTS

1. MINI PCIe Card

Model NO : 212MPCIE1011 VER:2R

PCBA, Mini PCIe to PCIe (USB3.0 A SMT) Adapter for CZ

2. USB Cable

Model NO: 342A2AD0B001

Cable, USB3.0 AM 90° Down to USB3.0 AM OD=4.5 ,Black

Length=400mm for CZ

China Office:

2F, No. 202 Building A, DAHONG HI-Technology

Park, HOUTING, SHAJING Town, Bao'an District, Shenzhen

Revision History

DATA	Reason for change	Version
SEP, 12th, 2024	Initial Release	1.0

Contents

1. Features.....	4
2. Pictures.....	5-6
3. Functional Diagram.....	7-8
4. Dimension.....	9

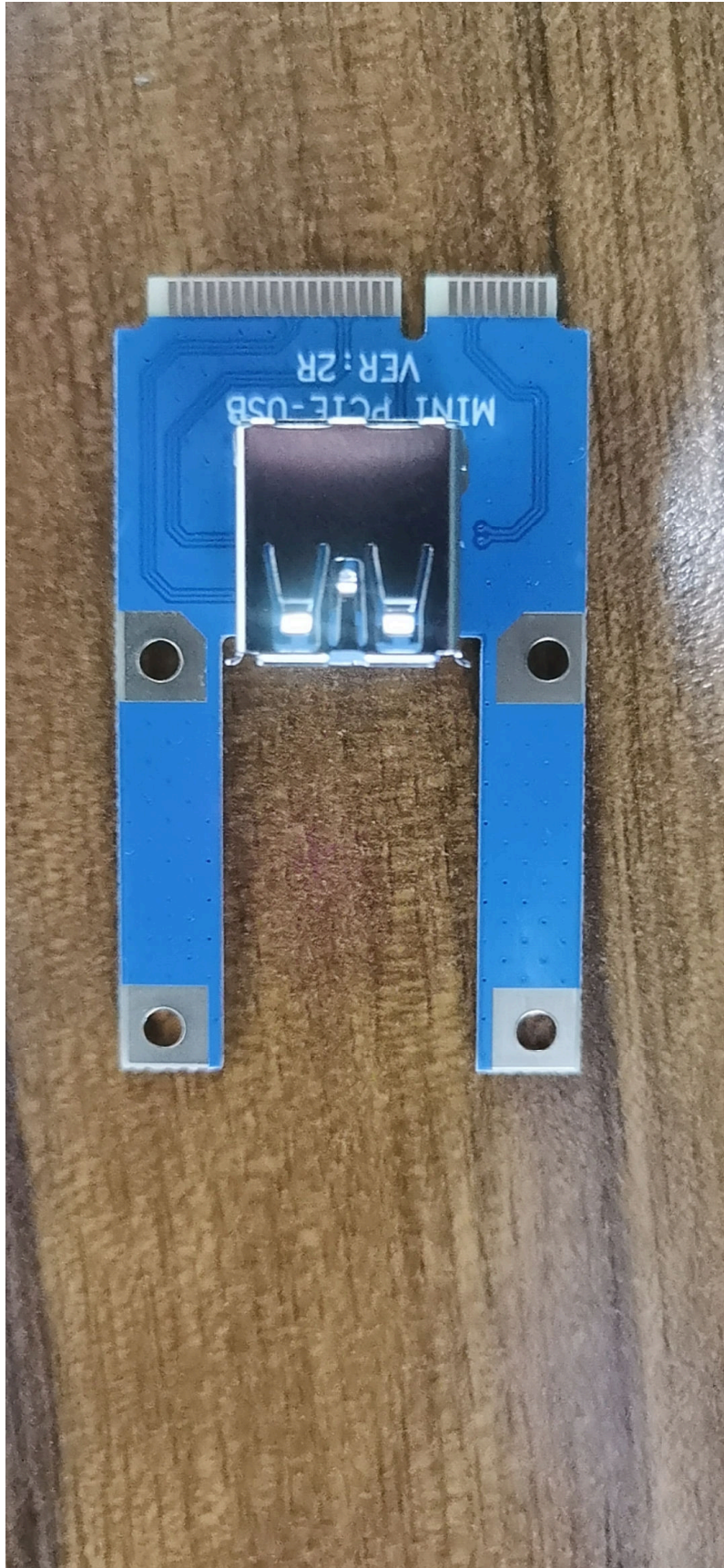
1. Features:

- Supports data transfer speeds of up to 5Gbps following PCI EXPRESS 2.0 Specification.
- Backward Compatible with PCI EXPRESS 1.1
- Operating temperature: 0°C to +55°C
- Operating Humidity: 5%~85% RH, NON-condensing

Notice: We mainly transmit PCIe signals by it. The speed in MINI PCIe interface satisfied the PCIe 2.0 Specification ! Donot support hot plug !

2. Pictures

2.1 MINI PCIe Card(PCB Process:Thickness 1.2mm,Plating ENIG 3U”,Mask color Blue,Silkscreen white ,1oz,FR4)

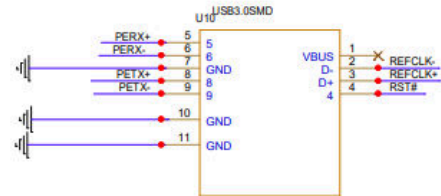
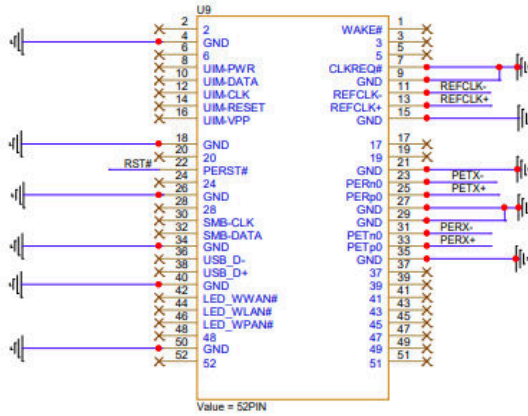


2.2 USB Cable



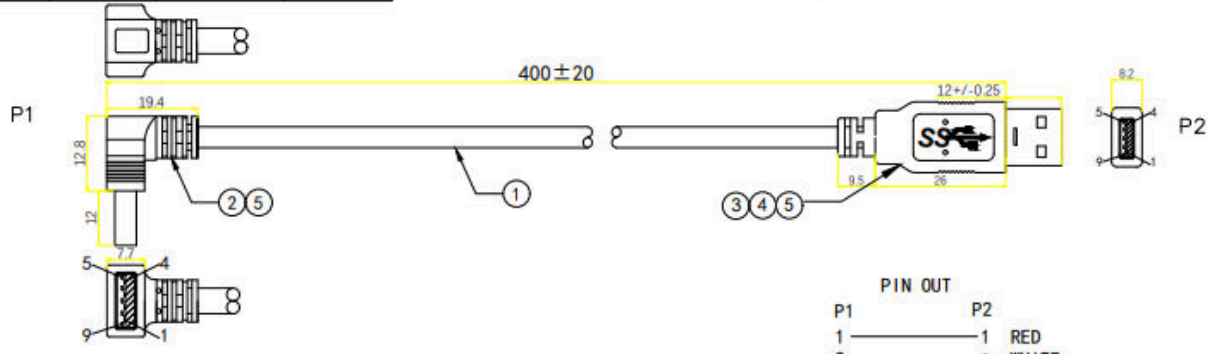
3. Functional Diagram

3.1 MINI PCIe Card



3.2 USB Cable

TOOLING	TOOL No.	TOOLING	TOOL No.	NO	DATE	REVISION RECORD	REV
AM 90 OUTMOLD	SOB-015	AM 180 OUTMOLD	SOB-004	1	20240612	FIRST ISSUE	A
				2	20240709	LENGTH CHANGED	B



Remark:

1. TESTING: ALL PRODUCTS MUST BE 100% TESTED AT:
COND: 5Ω(MAX)
INS: 10MΩ(MIN)
HI-V: DC 300V 0.01SEC
2. PACKAGE: 20PCS/BUNDLE+PE BAG.
3. ALL MATERIALS ARE ROHS COMPLIANT.
4. CABLE STRUCTURE:



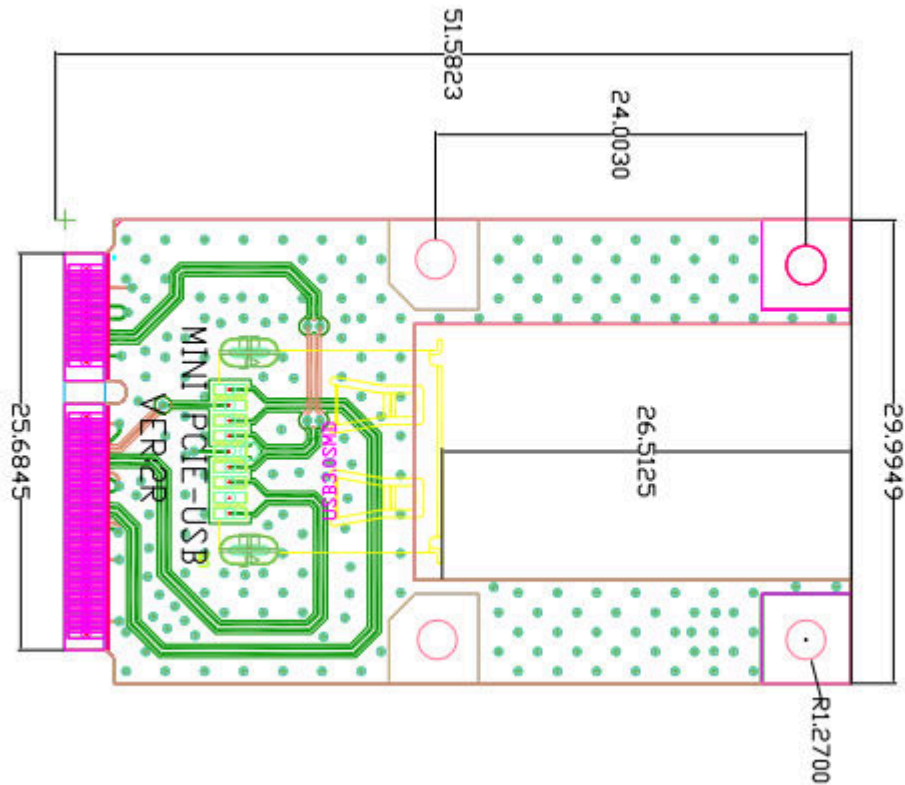
ITEM	PAR TNO.	DESCRIPTION	QTY	U/M
5	F0235PVC8K001	UL94V-0 BLACK PVC 35P ROHS2.0+CP65 NP	12	g
4	F0100PE00001	LDPE TRANSLUCENT	5	g
3	B1USB30ABU007	USB3.0 AM,BLUE INSULATING Gilded CONTACT,WITH METAL CAN,SHELL NICKEL PLATED TY/#USB30AM-02	1	SET
2	B1USB30ABU003	USB3.0 AM,BLUE INSULATING Gilded CONTACT,SHELL NICKEL PLATED TY/#USB30AM-01	1	PCS
1	A01USB30BK002	UL2725 USB3.0 CABLE (7*0.110T*1P+D+AL+M)*2C+7*0.11T*1P+7*0.20T*2C+AEB(AL/MG) OD4.5mm BLACK PVC JACKET, VW-1 PK/#40083120-C	0.42	M

Sobetter 东莞市索霸电子有限公司
Dongguan Sobetter Electronic Co.,LTD

General Tolerance	DRAWN BY :	DATE :	PRODUCT SPEC:
X. ±0.15	YIHENG HUANG	20240709	USB3.0 AM(90 DEGREE(DOWN)) TO AM 180 DEGREE BLACK L-D4M
X.X ±0.10	CHECKED BY :	DATE :	CUSTOMER :
X.XX ±0.05	MING WANG	20240709	SQ
X.XXX ±0.010	APPROVAL BY :	DATE :	GUESTS P/N :
X' ±0' X.X' ±1'	MIKE BU	20240709	PAR NO: SOB-021-003
UNIT: mm [inch]			DRAWING NO: P2401505
SCALE: 1:1			REV NO: B PAGE: 1/1

4 Dimension

4.1 MINI PCIe Card(unit:MM)



4.2 USB Cable

